

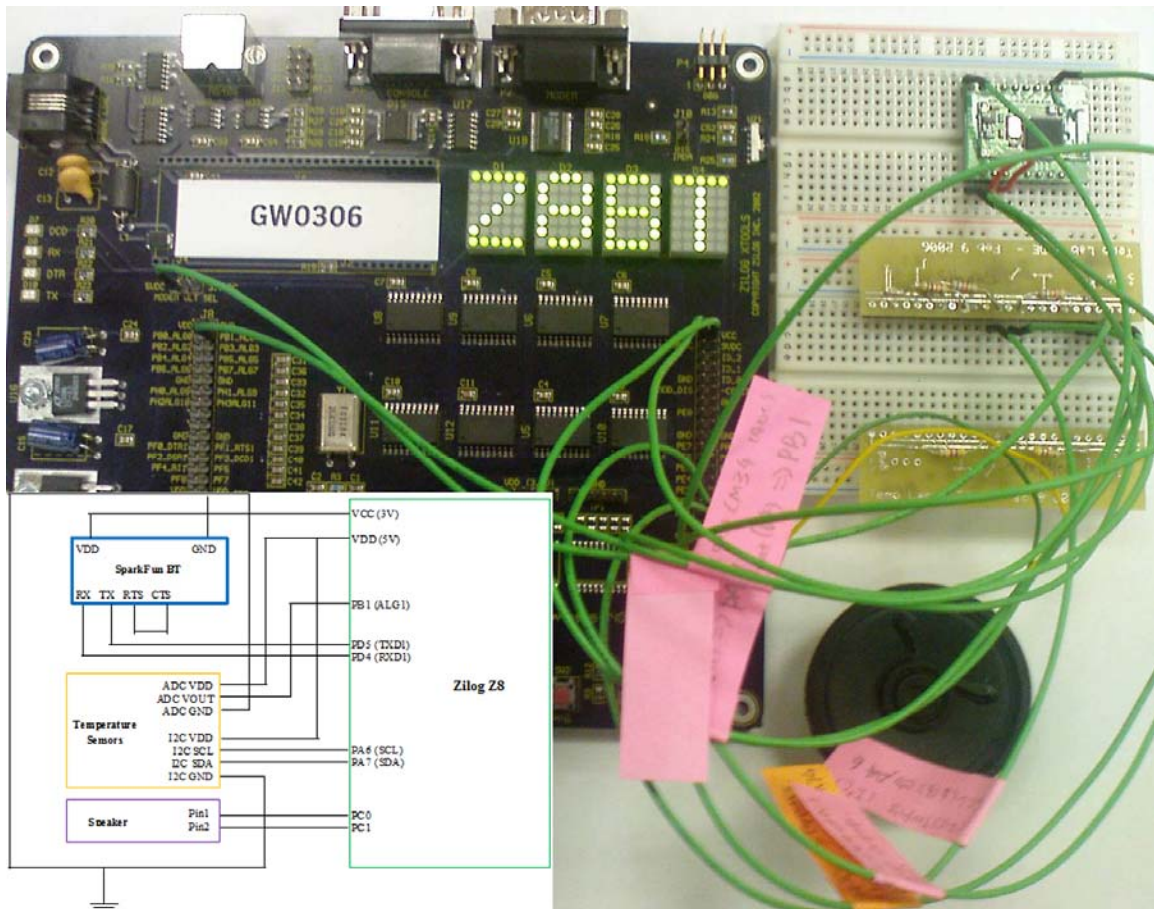
Bluetooth Z8

For CSci297 Embedded System, Yao Chen
chenyao927@gmail.com, April 22, 2008

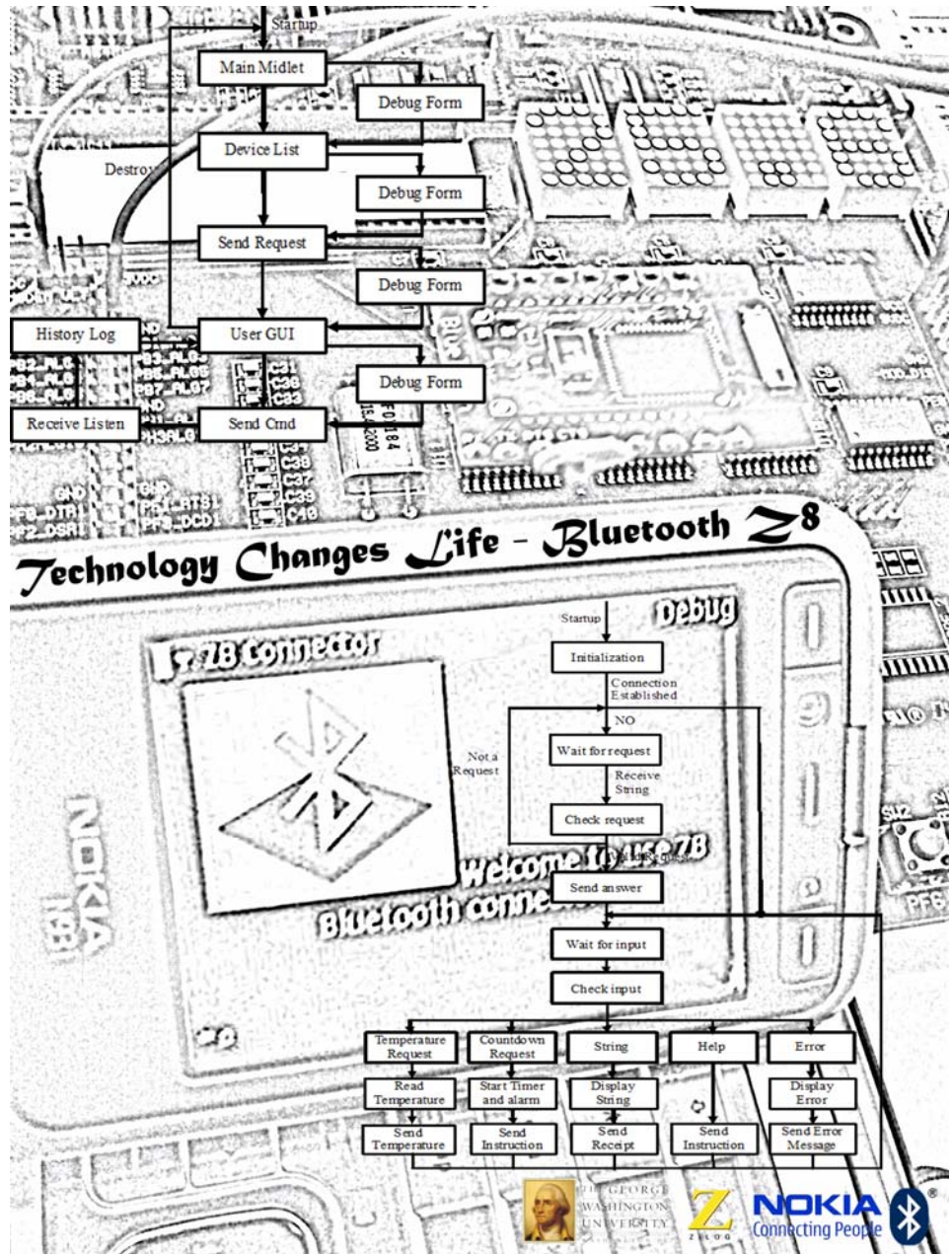
Project Abstract

The goal of this project is implementing a message transaction between Zilog Z8 Encore! Microcontroller Unit and a cell phone with Bluetooth connection. The cell phone (Nokia N93i is used in this project) is required to support both of Java Runtime Environment and Bluetooth technology.

Hardware Diagram



Software Diagram



Lesson Learned

- I2C and ADC usage;
- UART transmission;
- Java J2ME programming;
- Bluetooth API;
- Bluetooth communication;
- Driver writing.