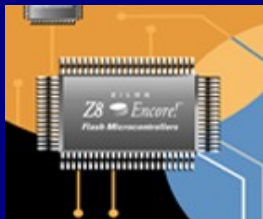


Voice Recorder with Z8 Evaluation Board

Thadeous A. Goodwyn



Two Modes

- Pulse Width Modulation
- 1-Bit Audio

This recorder can be constructed with one Z8 Encore! Evaluation Board, 2 resistors, 2 capacitors and 1 2-wire microphone!

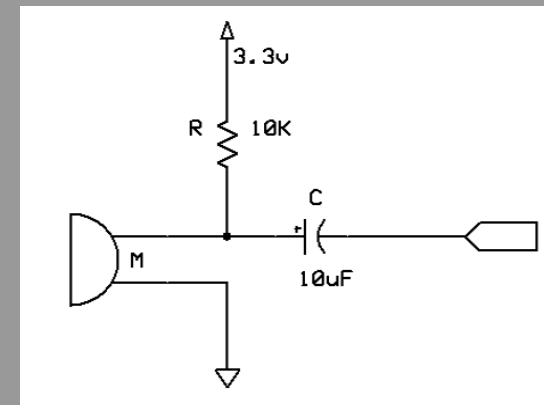
Simple 2 button interface...Record...Play!

1-bit Audio Allows 8 times the recording time of PWM!

Just under 1 kHz sampling rate!

Digital and Analog Filtering!

Simple Microphone Power Circuit...



Requires no external power...uses on-board Z8 power.