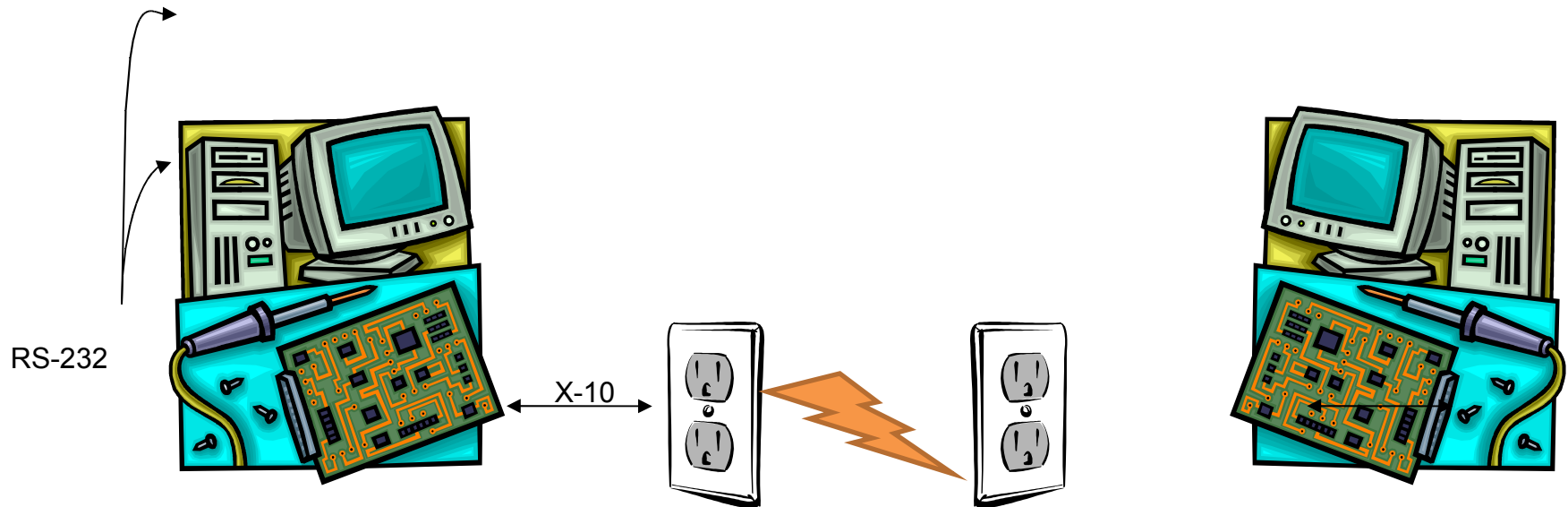


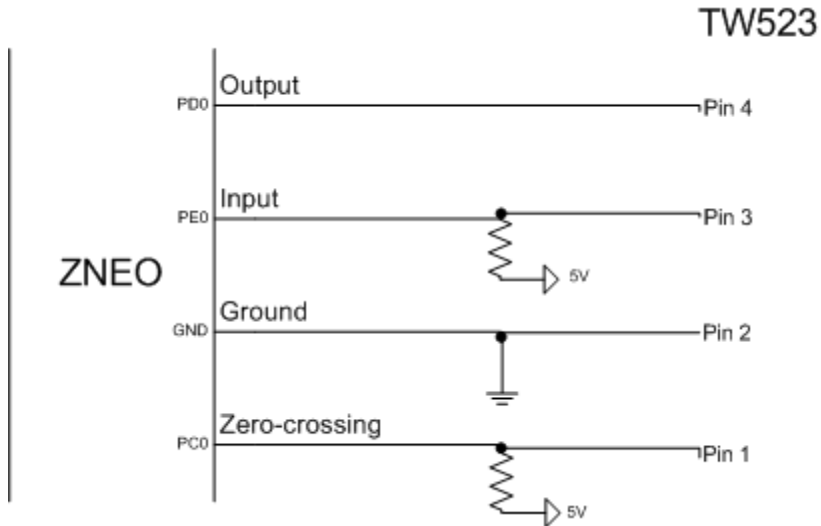
Powerline Communication

Juan Falquez, The George Washington University
Embedded Systems, Spring 2009

Project Abstract

The device is a bridge between the serial connection of a computer and the power outlet in a home/building. Users will be able to send data through the power lines to another device connected at another power outlet. The communication protocol between the power line interfaces is X-10.





Lessons Learned

- X-10 Protocol.
- Power line signaling.
- Oscilloscope debugging.
- Concurrent programming in a non-concurrent environment.
- Time critical applications.
- What spec sheets say is not always true ...