

Precipitation Detector

Humidity
Barometer
Thermometer

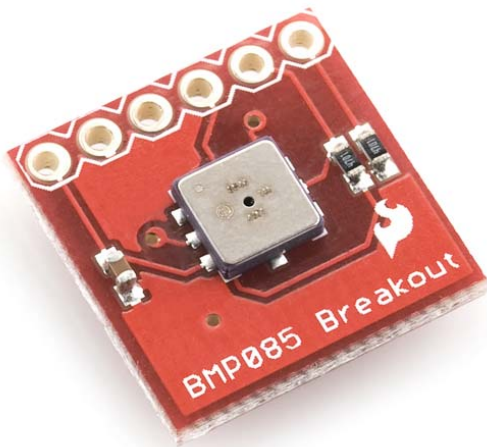
...In 1

Easy to read LED
display

Rotating arrow
indicator for
Temperature

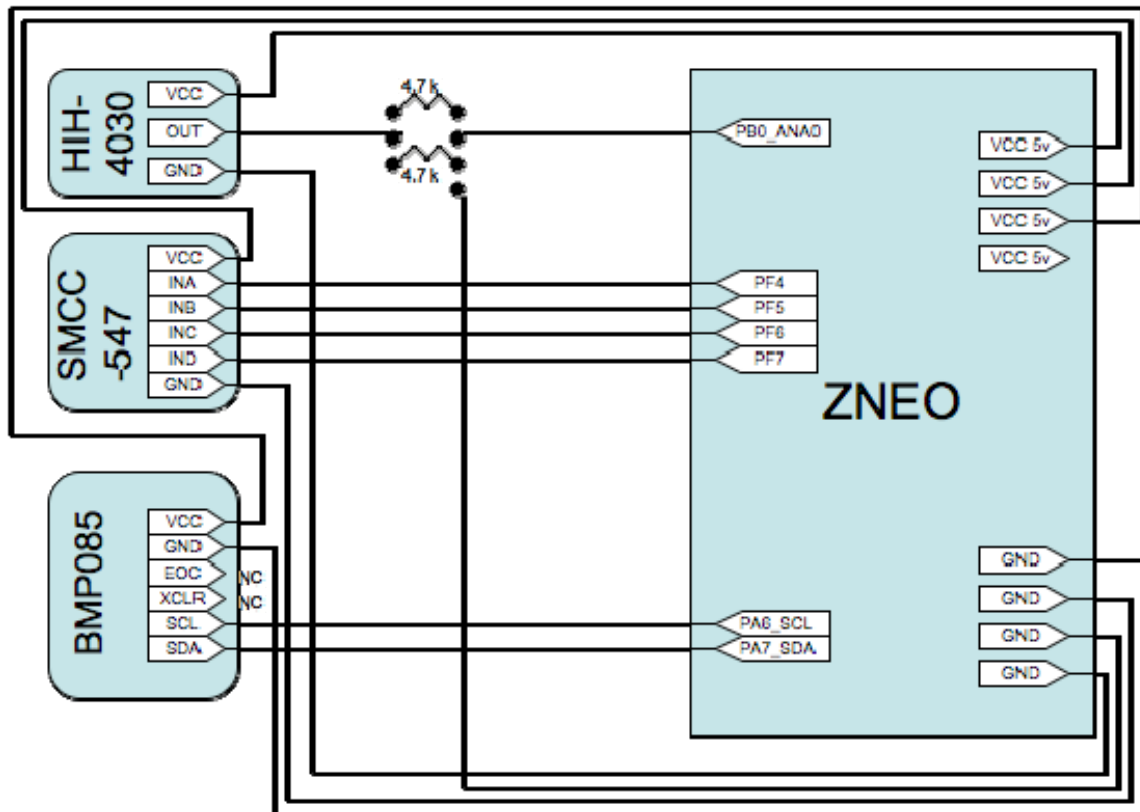
With the Press of a Button,
know the barometric pressure,
temperature, or relative
humidity.

Communicates with peripherals
using GPIO, ADC, and I²C.
Exciting!



QuickTime™ and a
decompressor
are needed to see this picture.

Final Product Hardware Spec:



Lessons Learned:

- o Datasheets are confusing
- o One can never have Too Much Time
- o Soldering is an option
- o The Oscilloscope is my friend